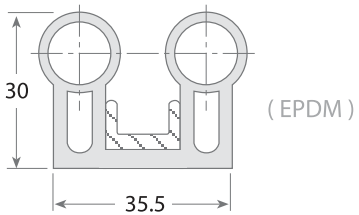


BURLETES GASKETS

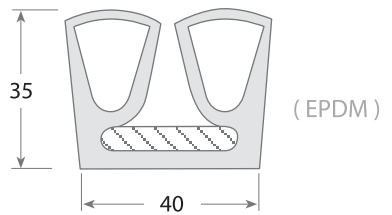
Burlete fabricado en caucho blando para temperatura hasta -50° C en color negro con tensor en PVC
 Gasket made of very soft black rubber for temperatures down to -50° C, with PVC fixing strip

3340
FIO 3749



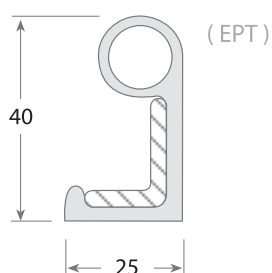
Frontal | **Burlete Gasket** 3 mts + **Tensor Fixing strip** 3 mts | Frontal
Material / Material Goma / Rubber Material / Material PVC

501
FIO 3750



Frontal | **Burlete Gasket** 2 mts + **Tensor Fixing strip** 2 mts | Frontal
Material / Material Goma / Rubber Material / Material PVC

3530 / 516



| Cod. | Burlete Gasket | Tensor Fixing strip | | |
|------|-----------------------------------|-------------------------|---------|-----------|
| | Material / Material Goma / Rubber | Material / Material PVC | | |
| 3530 | Bajo puerta Lower door | 1.5 mts | 1.5 mts | 1640/2320 |
| 516 | | 2.1 mts | 2.1 mts | 2340/3340 |
| | | 2.7 mts | 2.7 mts | 3530/7530 |
| | | 3.4 mts | 3.4 mts | 7640/8530 |
| | | | | |

BURLETES

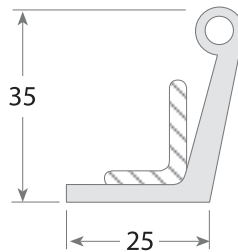
| Modelo Version | Código Code | Largo / Length (mts) | | Peso Weight |
|----------------|-------------|------------------------|-----------------------|-------------|
| | | Burlete / Gasket | Tensor / Fixing strip | |
| 3340 | FIO 3749 | 3 mts | 3 mts | 1.8 Kgs. |
| 501 | FIO 3750 | 2 mts | 2 mts | 2.3 Kgs. |
| 3530 516 | FIO 3752 | 1.5 mts | 1.5 mts | 722 Kgs. |
| | FIO 3744 | 2.1 mts | 2.1 mts | 946 Kgs. |
| | FIO 3745 | 2.7 mts | 2.7 mts | 1.5 Kgs. |
| | FIO 3746 | 3.4 mts | 3.4 mts | 2.45 Kgs. |

GASKETS

BURLETES GASKETS

Burlete fabricado en caucho blando para temperatura hasta -50° C en color negro con tensor en PVC
 Gasket made of very soft black rubber for temperatures down to -50° C, with PVC fixing strip

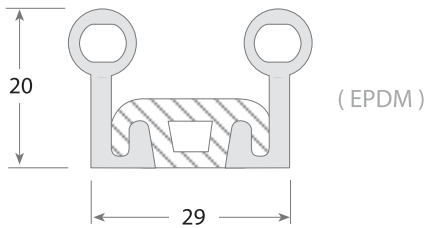
240
 FIO 3754



Burlete Gasket + Tensor Fixing strip
 20 mts + 20 mts
Material / Material Goma / Rubber Material / Material PVC

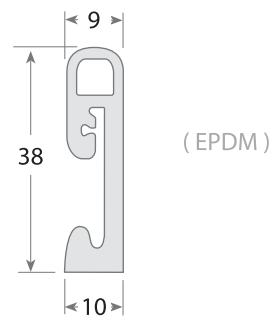
Bajo puerta
 Lower door

2310
 FIO 3755



Frontal Burlete Gasket + Tensor Fixing strip
 24 mts + 12 mts
Material / Material Goma / Rubber Material / Material PVC Frontal

2320 / 967
 FIO 3756



Burlete Gasket
 24 mts
Material / Material Goma / Rubber Sin Tensor Without fixing strip
 Bajo puerta Lower door

BURLETES

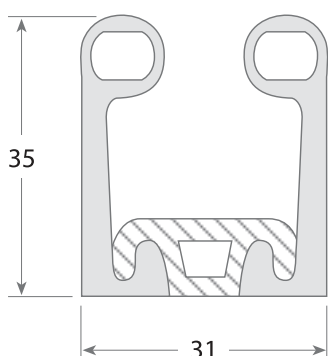
| Modelo Version | Código Code | Largo / Length (mts) | | Peso Weight |
|-------------------|----------------|------------------------|-----------------------|----------------|
| | | Burlete / Gasket | Tensor / Fixing strip | |
| 240 | FIO 3754 | 20 mts | 20 mts | 3.7 Kgs. |
| 2310 | FIO 3755 | 24 mts | 12 mts | 4.9 Kgs. |
| 2320/ 967 | FIO 3756 | 24 mts | ----- | 5.1 Kgs. |

GASKETS

BURLETES GASKETS

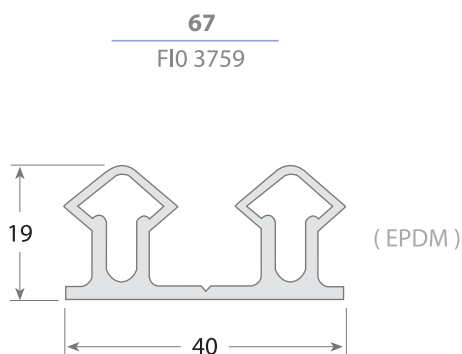
Burlete fabricado en caucho blando para temperatura hasta -50° C en color negro con tensor en PVC

Gasket made of very soft black rubber for temperatures down to -50 °C, with PVC fixing strip



(EPDM)

| 3530 511 Frontal / Frontal | Cod. | Burlete Gasket Material / Material Goma / Rubber | + | Tensor Fixing strip Material / Material PVC | 1640 2320/2340 7640/8530 3530/7530 |
|---|----------|--|---|---|---|
| | FIO 3757 | 8 mts | | 4 mts | |
| | FIO 6542 | 12 mts | | 6 mts | |
| | FIO 6543 | 16 mts | | 8 mts | |
| | FIO 6544 | 18 mts | | 10 mts | |
| | FIO 6545 | 20 mts | | 10 mts | |
| | FIO 6546 | 24 mts | | 12 mts | |

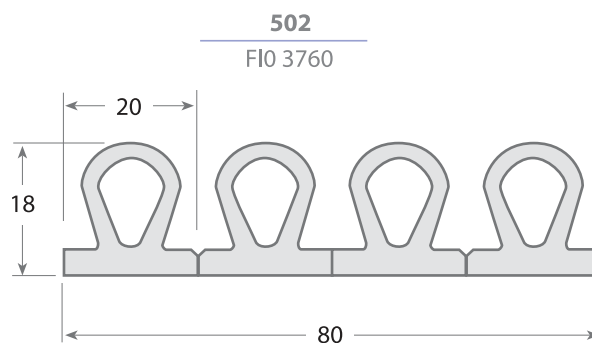


(EPDM)

Burlete Gasket
25 mts
 Material / Material
 Goma / Rubber

Sin Tensor
 Without fixing strip

Frontal
Frontal



Burlete Gasket
4 mts
 Material / Material
 Goma / Rubber

Sin Tensor
 Without fixing strip

Frontal
Frontal

BURLETES

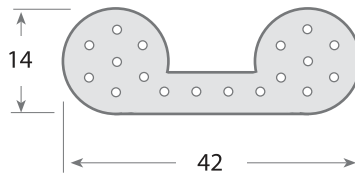
| Modelo Version | Código Code | Largo / Length (mts) | | Peso Weight |
|---------------------|----------------|------------------------|-----------------------|----------------|
| | | Burlete / Gasket | Tensor / Fixing strip | |
| 3530 511 | FIO 3757 | 8 mts | 4 mts | 2.3 Kgs. |
| | FIO 6542 | 12 mts | 6 mts | 3.6 Kgs. |
| | FIO 6543 | 16 mts | 8 mts | 4.7 Kgs. |
| | FIO 6544 | 18 mts | 10 mts | 4.9 Kgs. |
| | FIO 6545 | 20 mts | 10 mts | 5.8 Kgs. |
| | FIO 6546 | 24 mts | 12 mts | 7.4 Kgs. |
| 67 | FIO 3759 | 25 mts | ----- | 8.8 Kgs. |
| 502 | FIO 3760 | 4 mts | ----- | 2.7 Kgs. |

GASKETS

BURLETES GASKETS

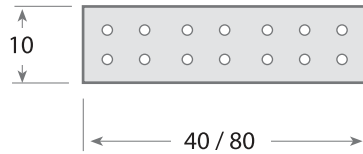
Burlete fabricado en caucho blando para temperatura hasta -50° C en color negro con tensor en PVC
Gasket made of very soft black rubber for temperatures down to -50 °C, with PVC fixing strip

373
 F10 0516
 (Espuma / Foam)



Burlete
 Gasket
25 mts
 Material / Material
 Espuma / Foam

40 x 10
80 x 10



| Espuma Foam | Cod. | Rollos Rolls | Sin adhesivo Without adhesive |
|----------------|----------|-----------------|----------------------------------|
| | F10 1594 | 10 mts | |
| | F10 1599 | 7 mts | |

BURLETES

| Modelo Version | Código Code | Burlete Gasket Rollos / Rolls (mts) | Peso Weight |
|-------------------|----------------|---|----------------|
| 373 | F10 0516 | 25 mts | 6.3 Kgs. |
| 40 x 10 | F10 1594 | 10 mts | 694 grs. |
| 80 x 10 | F10 1599 | 7 mts | 583 grs. |

GASKETS